

**Notes:**

Technology: COB

LEDs: 1

Mounting: Flush (Bulkhead)

Voltage: 12vdc

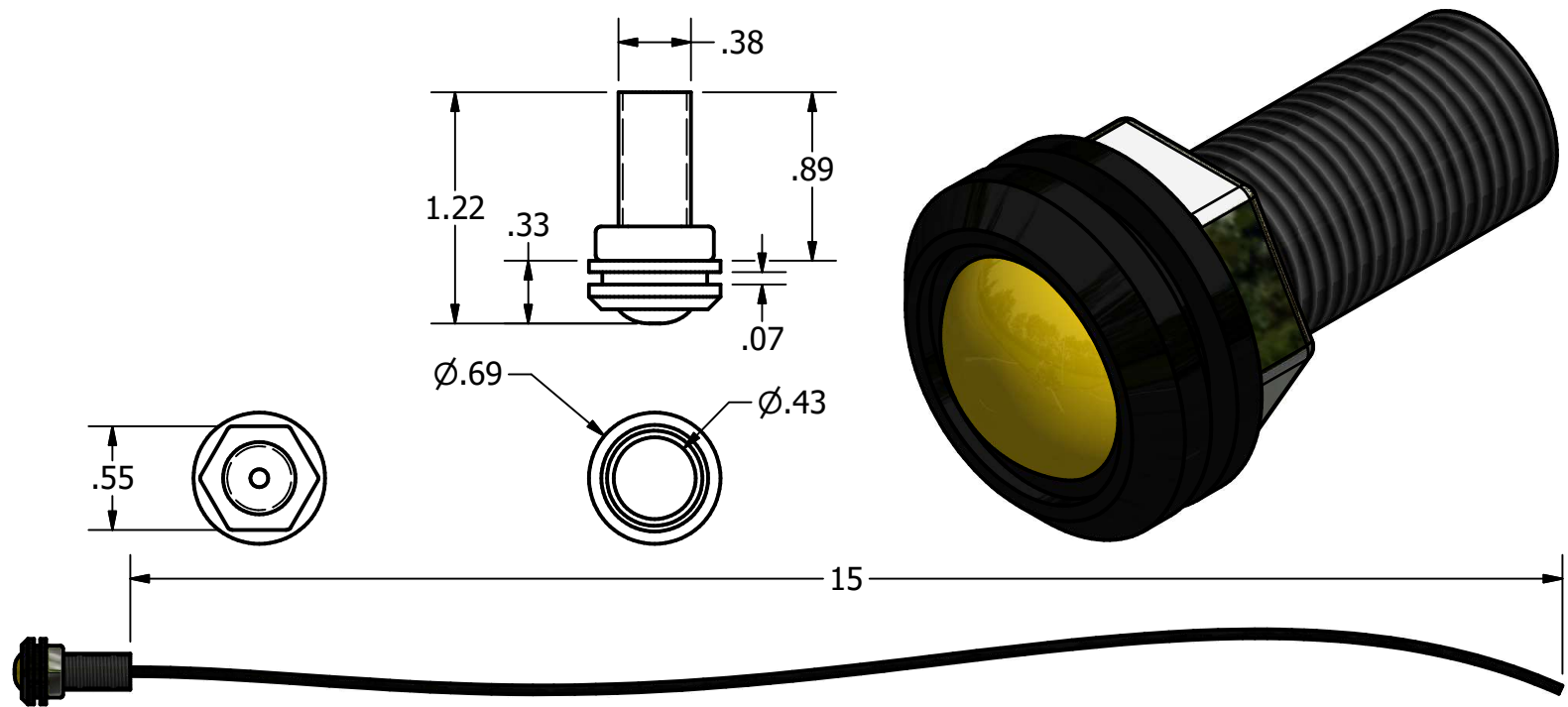
Amps: 0.06A

Material: Aluminum Housing (Black)

Connection: Pigtail

Red = (Power)

Black = (Ground)



REV	DESCRIPTION	BY	DATE	DESCRIPTION: 18mm RD COB AUX. LAMP-BLK/CW			
				PART #: 5290173	DWG #: 5290173.idw		
				SCALE: NA	UNIT OF MEASURE: IN	DWG SIZE: A	NOTE:
				DATE CREATED: 6-17-21	DRAWN BY: RSH	SHEET: 1	REV:

