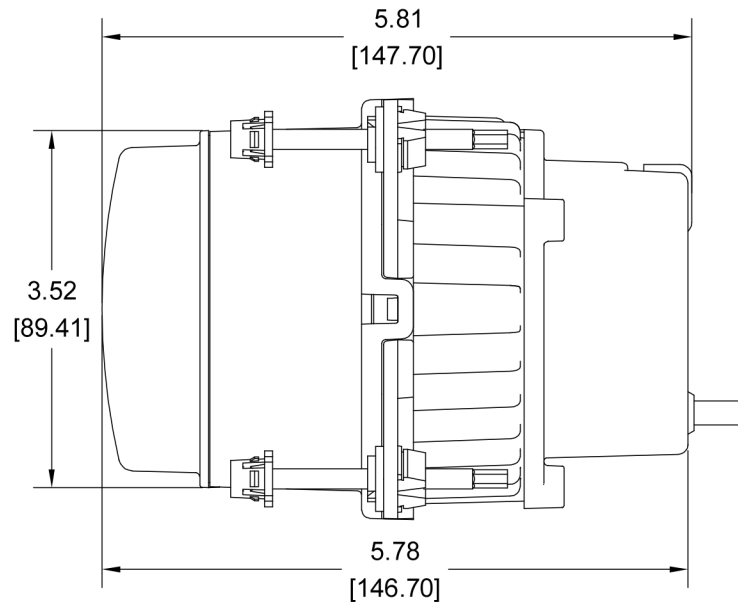
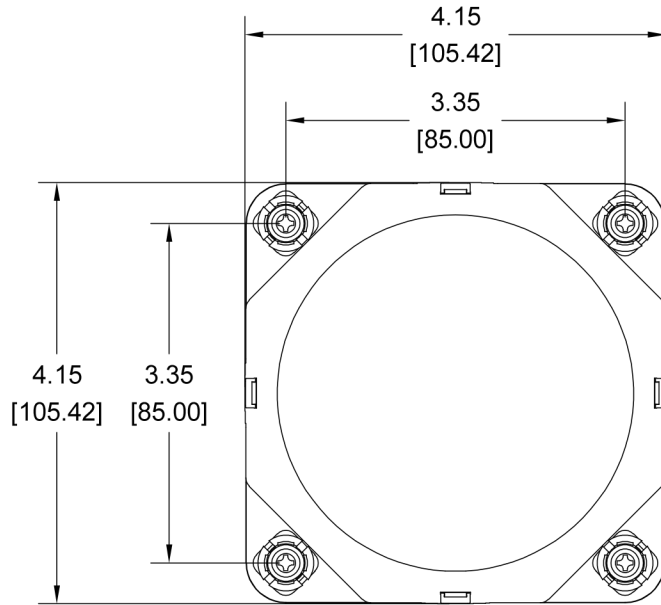
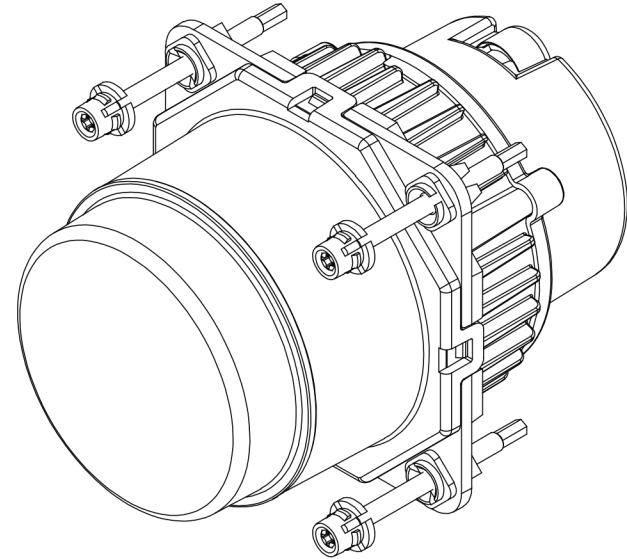


Technology: LED
 LEDs: 1pc OSRAM LED
 Mounting: 4-adjuster system - cloverleaf mount
 Voltage: 12-24V
 Material: Lens- PC + Hard coating, Body-Aluminum +
 Electrophoretic Deposition
 Connection: 2-wire weather pack



REV	DESCRIPTION	BY	DATE
-	---	-	---



DESCRIPTION: 90MM Round Modular LED Headlamp – HI Beam			
PART #: 0280453-1		DWG #: 0280453-1	
SCALE: NA	UNIT OF MEASURE: IN/MM	DWG SIZE: A	NOTE:
DATE CREATED: 11-4-19	DRAWN BY: RSH	SHEET: 1 OF 1	REV: