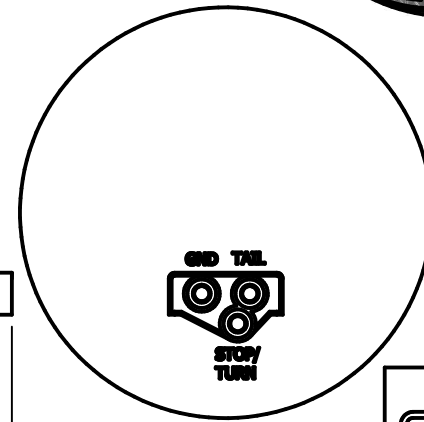
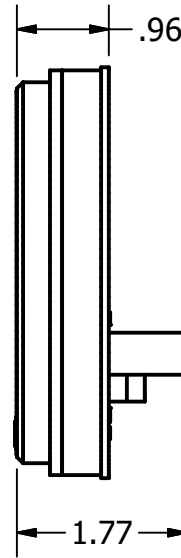
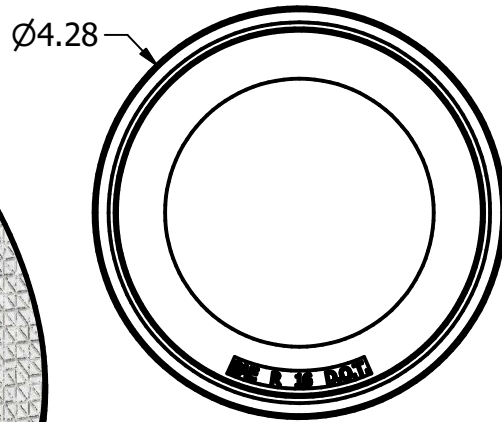


Notes:

- Technology: SMD
- LEDs: 24
- Mounting: Grommet 31515 (sold separately)
- Voltage: 12vdc
- Amps: 0.17A
- Connection: Connector 34215 (sold separately)
- Red = (Backup)
- White = (Ground)
- Accessories: Chrome Bezel 10484B (sold separately)



REV	DESCRIPTION	BY	DATE



DESCRIPTION: 4" ROUND MIRAGE LED BACKUP LAMP, WHITE			
PART #: 4214403		DWG #: 4214403.idw	
SCALE: NA	UNIT OF MEASURE: IN	DWG SIZE: A	NOTE:
DATE CREATED: 3-26-21	DRAWN BY: RSH	SHEET: 1	REV: