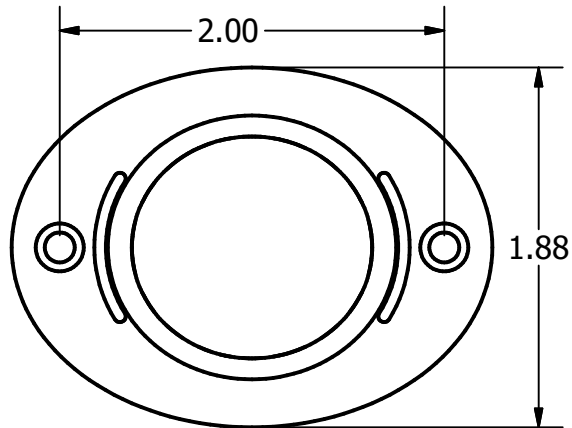
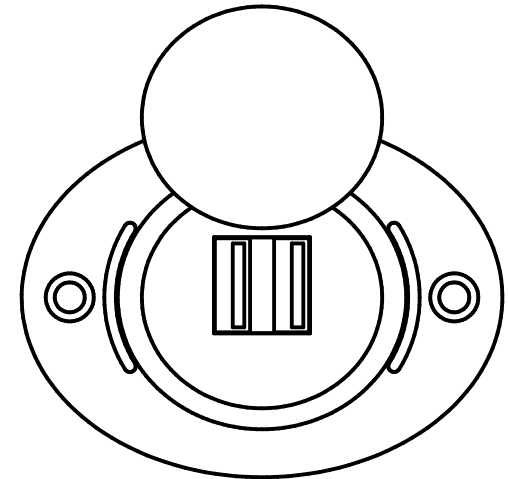
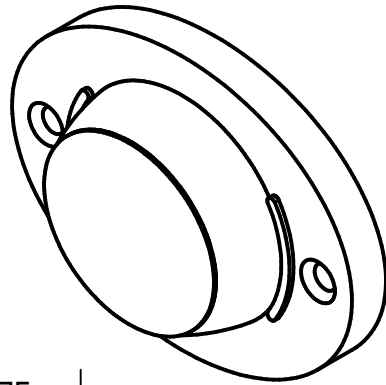
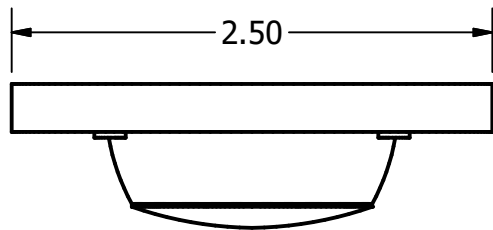


**Notes:**

Technology: 2.4A max  
 Port: Type-A  
 LED: Blue  
 Mounting: Surface Mount  
 Input: 12vdc  
 Output: 5V/2.4A  
 Amps: < 0.01A (Blue LED)  
 Connection: Pigtails (2)  
 Red = (Power)  
 Black = (Ground)



REV	DESCRIPTION	BY	DATE



DESCRIPTION: DUAL USB SURFACE MOUNT 5V 3.1A MAX			
PART #: 1253249		DWG #: 1253249.idw	
SCALE: NA	UNIT OF MEASURE: IN	DWG SIZE: A	NOTE:
DATE CREATED: 3-22-21	DRAWN BY: RSH	SHEET: 1	REV: