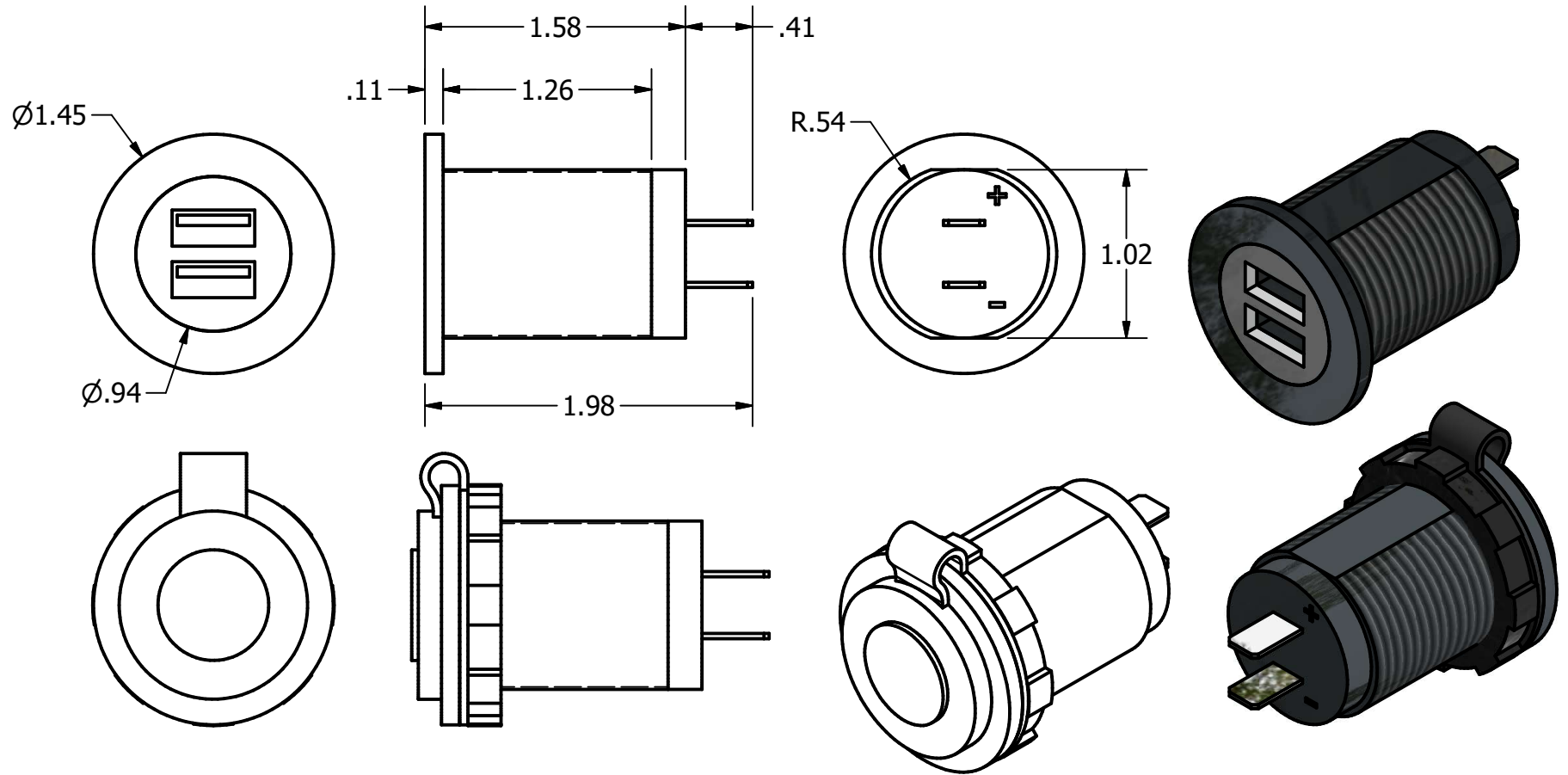


Notes:

Technology: 2.1A max
 Port: Type-A
 LED: None
 Mounting: Panel Mount
 Input: 12vdc
 Output: 5V/2.1A
 Connection: Terminals (2)



REV	DESCRIPTION	BY	DATE	DESCRIPTION: DUAL USB OUTLET (NO LIGHT) (W/ COVER)			
				PART #: 1251102NL		DWG #: 1251102NL.idw	
				SCALE: NA	UNIT OF MEASURE: IN	DWG SIZE: A	NOTE:
				DATE CREATED: 3-24-21	DRAWN BY: RSH	SHEET: 1	REV:

